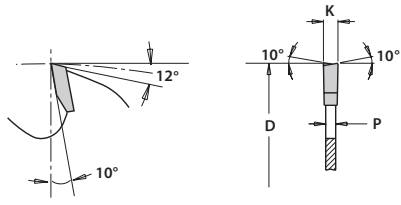
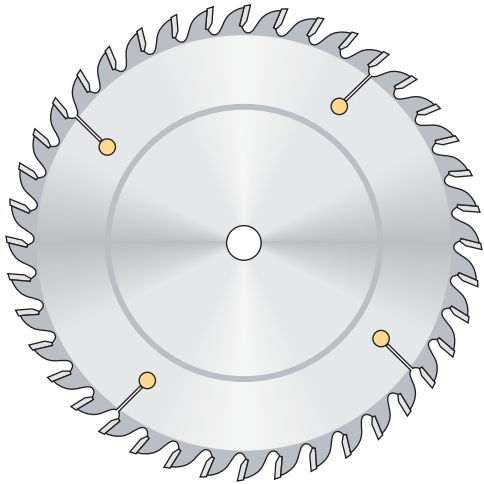


Cut-Off Blades

Standard ATB



Application:

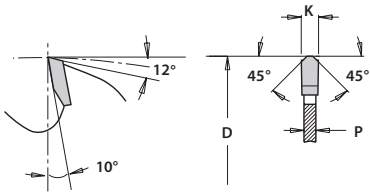
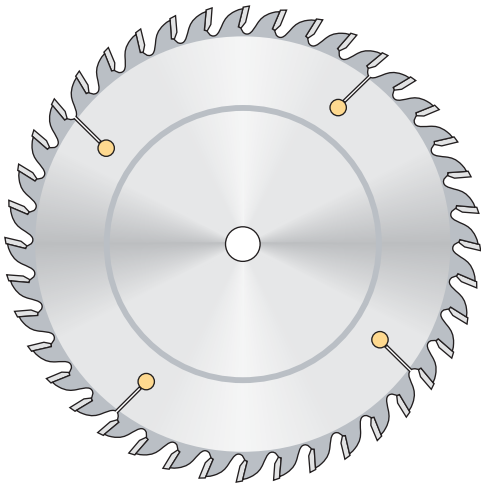
For cross cutting or trimming soft and hardwoods, plywood, or composite panel material.

Use for standard table saws, sliding table saws and cut-off saws .

Catalog #	Dia.	Teeth	Bore	Kerf	Plate
CO84002	8"	40	5/8"	.112"	.080"
CO84802	8"	48	5/8"	.112"	.087"
CO86002	8"	60	5/8"	.112"	.087"
CO87202	8"	72	5/8"	.112"	.087"
CO9602	9"	60	5/8"	.125"	.087"
CO10402	10"	40	5/8"	.125"	.087"
CO10482	10"	48	5/8"	.125"	.087"
CO10602	10"	60	5/8"	.125"	.087"
CO10722	10"	72	5/8"	.125"	.087"
CO10802	10"	80	5/8"	.125"	.087"
CO12402	12"	40	1"	.135"	.095"
CO12482	12"	48	1"	.135"	.095"
CO12602	12"	60	1"	.135"	.095"
CO12722	12"	72	1"	.135"	.095"
CO12802	12"	80	1"	.135"	.095"
CO121002	12"	100	1"	.135"	.095"
CO14402	14"	40	1"	.156"	.110"
CO14602	14"	60	1"	.156"	.110"
CO14722	14"	72	1"	.156"	.110"
CO14802	14"	80	1"	.156"	.110"
CO141002	14"	100	1"	.156"	.110"
CO16402	16"	40	1"	.156"	.118"
CO16602	16"	60	1"	.156"	.118"
CO16722	16"	72	1"	.156"	.118"
CO16802	16"	80	1"	.156"	.118"
CO161002	16"	100	1"	.156"	.118"
CO18602	18"	60	1"	.16"	.134"
CO18802	18"	80	1"	.16"	.134"
CO181002	18"	100	1"	.16"	.134"
CO181202	18"	120	1"	.16"	.134"

Cut-Off Blades

Standard TCG



Application:

For cross cutting or trimming of plastic laminated materials.

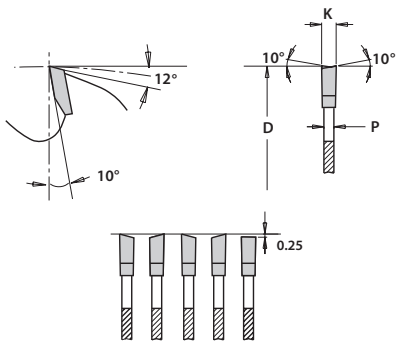
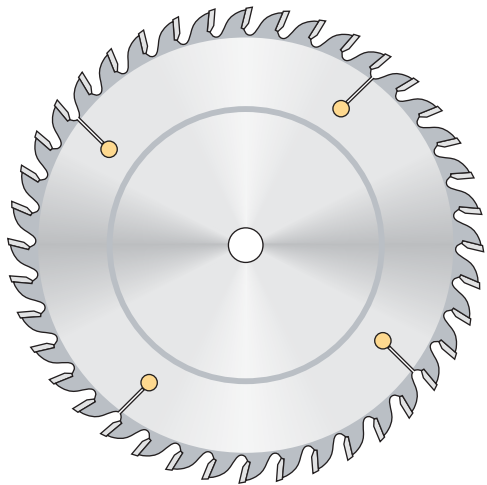
Use for standard table saws, sliding table saws and cut-off saws .

Carbide-tipped | TCG Top Design | Copper Plugged Slots

Catalog #	Dia.	Teeth	Bore	Kerf	Plate
CO84003	8"	40	5/8"	.112"	.080"
CO84803	8"	48	5/8"	.112"	.087"
CO86003	8"	60	5/8"	.112"	.087"
CO87203	8"	72	5/8"	.112"	.087"
CO9603	9"	60	5/8"	.125"	.087"
CO10403	10"	40	5/8"	.125"	.087"
CO10483	10"	48	5/8"	.125"	.087"
CO10603	10"	60	5/8"	.125"	.087"
CO10723	10"	72	5/8"	.125"	.087"
CO10803	10"	80	5/8"	.125"	.087"
CO12403	12"	40	1"	.135"	.095"
CO12483	12"	48	1"	.135"	.095"
CO12603	12"	60	1"	.135"	.095"
CO12723	12"	72	1"	.135"	.095"
CO12803	12"	80	1"	.135"	.095"
CO121003	12"	100	1"	.135"	.095"
CO14403	14"	40	1"	.156"	.110"
CO14603	14"	60	1"	.156"	.110"
CO14723	14"	72	1"	.156"	.110"
CO14803	14"	80	1"	.156"	.110"
CO141003	14"	100	1"	.156"	.110"
CO16403	16"	40	1"	.156"	.118"
CO16603	16"	60	1"	.156"	.118"
CO16723	16"	72	1"	.156"	.118"
CO16803	16"	80	1"	.156"	.118"
CO161003	16"	100	1"	.156"	.118"
CO18603	18"	60	1"	.16"	.134"
CO18803	18"	80	1"	.16"	.134"
CO181003	18"	100	1"	.16"	.134"
CO181203	18"	120	1"	.16"	.134"

Cut-Off Blades

4 ATB + 1 Raker



Application: For cross cutting dry soft and hardwoods. Large gullets in body allow for improved chip ejection. Use for standard table saws, sliding table saws and cut-off saws.

Carbide-tipped | 4 ATB + 1 Raker Top Design | Copper Plugged

Catalog #	Dia.	Teeth	Bore	Kerf	Plate
CO84005	8"	40	5/8"	.112"	.087"
CO86005	8"	60	5/8"	.112"	.087"
CO10405	10"	40	5/8"	.125"	.095"
CO10605	10"	60	5/8"	.125"	.095"
CO10805	10"	80	5/8"	.125"	.095"
CO12405	12"	40	1"	.135"	.110"
CO12605	12"	60	1"	.135"	.110"
CO12805	12"	80	1"	.135"	.110"
CO121005	12"	100	1"	.135"	.110"
CO14405	14"	40	1"	.156"	.118"
CO14605	14"	60	1"	.156"	.118"
CO14805	14"	80	1"	.156"	.118"
CO141005	14"	100	1"	.156"	.118"
CO16405	16"	40	1"	.156"	.118"
CO16605	16"	60	1"	.156"	.118"
CO16805	16"	80	1"	.156"	.118"
CO161005	16"	100	1"	.156"	.118"
CO18605	18"	60	1"	.16"	.134"
CO18805	18"	80	1"	.16"	.134"
CO181005	18"	100	1"	.16"	.134"